

Wolflite H-251ALED Rechargeable Handlamp

Zones: 1, 2, 21 and 22



Product Overview

The Wolflite H-251ALED Rechargeable Handlamp is ideal as a safety lamp for inspection and work tasks, offering a convenient and cost effective solution when frequently required for long periods, and is CE marked to the ATEX Directive for safe use in potentially explosive atmospheres.

The Handlamp offers extreme robustness and reliability in harsh environments; the scratch and impact resistant lens is made from 6mm toughened glass and the body and lens ring are moulded in a highly resilient thermoplastic material to withstand drop and impact expected from heavy industrial use, even at sub-zero temperatures. The material is electrostatic non-hazardous, ensuring there is no risk of a dangerous build up of static charges and the enclosure is sealed to IP66, preventing the ingress of dust and sealing against water, except submersion.

H-251ALED's outstanding light output is achieved from an LED light source giving as much as 50% more light and a threefold increase in duration over many handlamps with halogen bulbs. It is focused within a 100mm diameter parabolic reflector giving the user an extremely well defined beam of intense white light.

The battery pack is a highly reliable sealed lead acid system, enhanced with electronic protection and control, and is rendered intrinsically safe by the use of a fast switching short-circuit protection circuit. A low voltage cut-off feature automatically switches the lamp off when all useful battery capacity has been used, protecting the battery from damage through deep discharge.

The emergency illumination function illuminates the handlamp if power to the charger is cut.

Features & Benefits

- CE marked to ATEX Directive Explosive gas, vapour and mist certified for zones 1 & 2, up to T4 temperature class
- Dust ignition protected for zones 21 and 22, for dusts with ignition temperatures over 170°C
- LED light source gives increased light output and battery duration
- Electronic current limited battery with power fail operation and deep discharge protection
- Robust anti-static thermoplastic lamp enclosure
- IP 66 ingress protection
- For use with C-251HV/LV Chargers
- Suitable for cyclic and short term standby applications (for long term see Wolflite XT Rechargeable LED Handlamp and Rechargeable Torch)

Certifications



1180

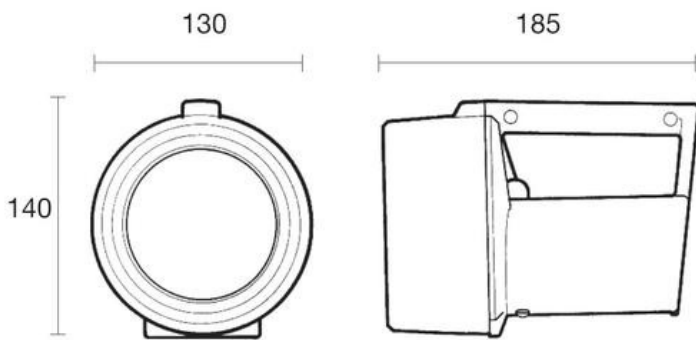
Technical Specification

Product Reference		H-251ALED
Product Description		Rechargeable Safety Handlamp
Code	ATEX & IECEX	<p>II 2GD Ex ib op is IIC T4 Gb (-20°C≤Ta≤+40°C)</p> <p>Ex ib op is IIIB T170°C Db*</p> <p>* The revised product approval code confirms compliance to IIIB nonconductive dusts and has a T170°C dust temperature.</p>
Type of Protection		"ib" intrinsic safety, "op is" optical radiation
Area of Classification (Gases)		Zones 1 and 2, Gas Groups IIA, IIB, IIC
Temp. Classification (Gases)		T4
Area of Classification (Dust)		Zones 21 and 22, IIIA, IIIB
Max. Surface Temperature (Dust)		170°C
Ambient Temperature		-20°C to +40°C
Certificates	ATEX	BAS00ATEX2176X
	IECEX	BAS16.0076X
Enclosure / Lens		Thermoplastic, Anti-Static / Toughened Glass (6mm)
Beam Type		Spot with Fringe Light
Light Source:	Part Number	H-79
	Type	High Power LED
	Volts	3.75V
	Watts	1W
	Output	60lm (Peak)
	Life	25,000hrs
Power Source:	Part Number	H-66
	Type	Rechargeable Battery, Sealed Lead Acid
	Volts	4V

	Capacity	5Ah
	Life	Up to 500 recharge cycles
Light Duration		Up to 24hrs
Ingress Protection		IP66
Weight		1.75Kg (incl. battery)

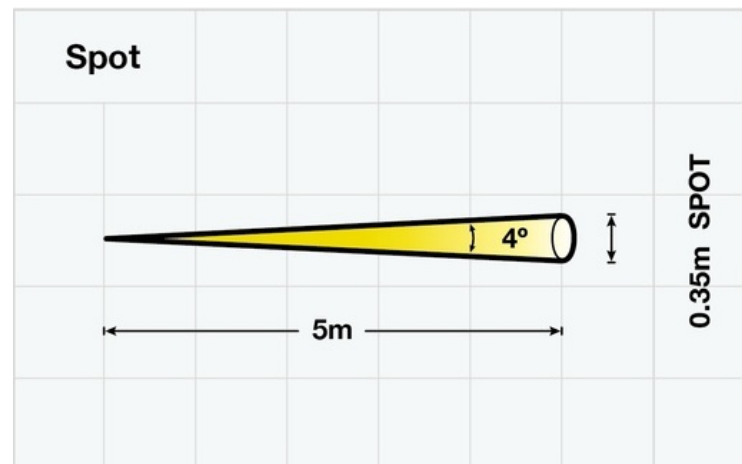
- All information has been gathered under laboratory conditions, the user must regard the values given as approximate.
- Changes may be made to the above specification without notification, details are available on request.

Product Dimensions



Light Output

H-251ALED
60 Lumen Spot Beam (approx 4°) with Wide Angle Fringe Light



Version: SL002 DF498 Issue 9

Wolf®

Wolf Safety Lamp Company, Saxon Road Works, Sheffield, S8 0YA, UK

- T: +44 (0) 114 255 1051 • F: +44 (0) 114 255 7988
- E: info@wolfsafety.com • www.wolfsafety.com

