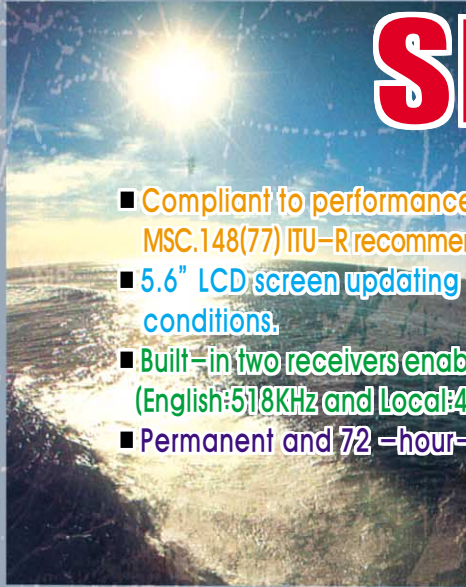
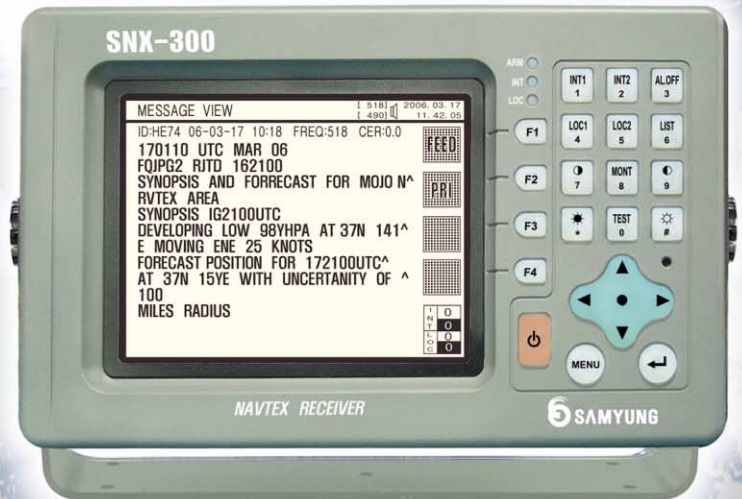


5.6" LCD NAVTEX RECEIVER **SNX-300**



- Compliant to performance standards for IMO resolution MSC.148(77) ITU-R recommendation, M.540-2, M.625-3, IEC-61162.
- 5.6" LCD screen updating up-to minute and varied weather conditions.
- Built-in two receivers enable to receive dual channels (English:518KHz and Local:490/4209.5KHz) simultaneously.
- Permanent and 72-hour-long storage of receiving letters.

NEW
5.6" LCD Screen



5.6" LCD NAVTEX RECEIVER

MODEL : SNX-300

FEATURES

- New model designed to IMO resolution and performance standards effective from July 1st, 2005 (IMO Resolution MSC.148(77) ITU-R, M.540-2, M.625-3, IEC-61162).
- English channel(518KHz) & local channel(490KHz/4209.5KHz) are simultaneously receiving by two receivers built-in.
- Receiving messages sets-up from outer navigational equipment and channels.
- Storage for over 200 advisory including 8,000 receiving letters in average length per channel.
- 50 messages permanently stored per channel and 72-hour-long storage of receiving letters.
- Automatic power blockage run by voltage protection circuit.
- Interfaced to INS(Integrated Navigation System) according to IEC-61162.

SPECIFICATIONS

■ GENERAL

- Temperature : -15°C to +55°C
- Humidity : 95% at 40°C
- Power supply : DC 10 ~ 36V, 12W@24V
- Size : 255W×163H×75D (mm)
- Weight : 2.6kg

■ RECEIVER

- Receiving frequency : 518KHz(English), 490KHz or 4209.5KHz(Local)
- Receiving method : F1B NAVTEX broadcast
- Receiving sensitivity : $2\mu\text{V}$ e.m.f.(50Ω), 4% error rate
- Frequency accuracy : ± 10Hz
- Antenna impedance : 50Ω (Active), Power 9W (inner supply)
- Message : A:navigation alarm, B:weather alarm, C:iceberg alarm, D:R&S, E:weather forecast, F:Pilot message, G: AIS message, H:LORAN message, J:SATNAV message, K:Other navigational aid message, L:additional navigation alarm, Z:no message

■ CONTROLLER & DISPLAY

- Display : 5.6" LCD, 320 dots × 240 dots
- Display type : Selectable transmitter & receiver, Receiving message, Storage & Control of message, Frequency display, Adjustable LCD & keyboard brightness, Self-diagnosis and alarm function available
- Storage capability : 200 per channel including 1,600,000 letters
- Permanent message storage : 50 including 400,000 letters
- Message storage duration : Max. 72 hours

■ PRINTER

- Print method : thermal serial dot
- Character size : 9dots (high)×7dots (wide)
- Speed : 52.5 cps(Normal), 80 cps(Condensed)

COMPONENTS

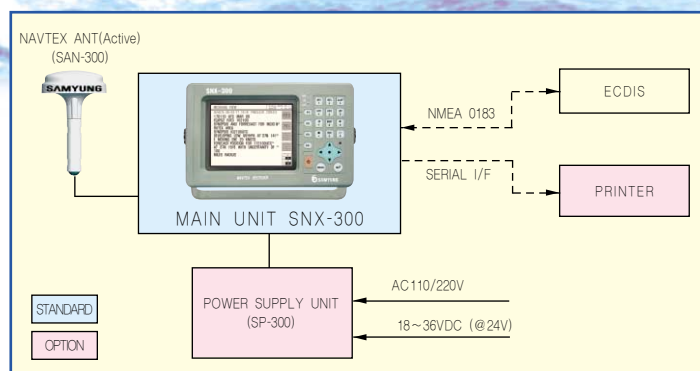
■ STANDARD

- Main Unit(SNX-300)
- Antenna(SAN-300)
- Installation Material
- Instruction Manual

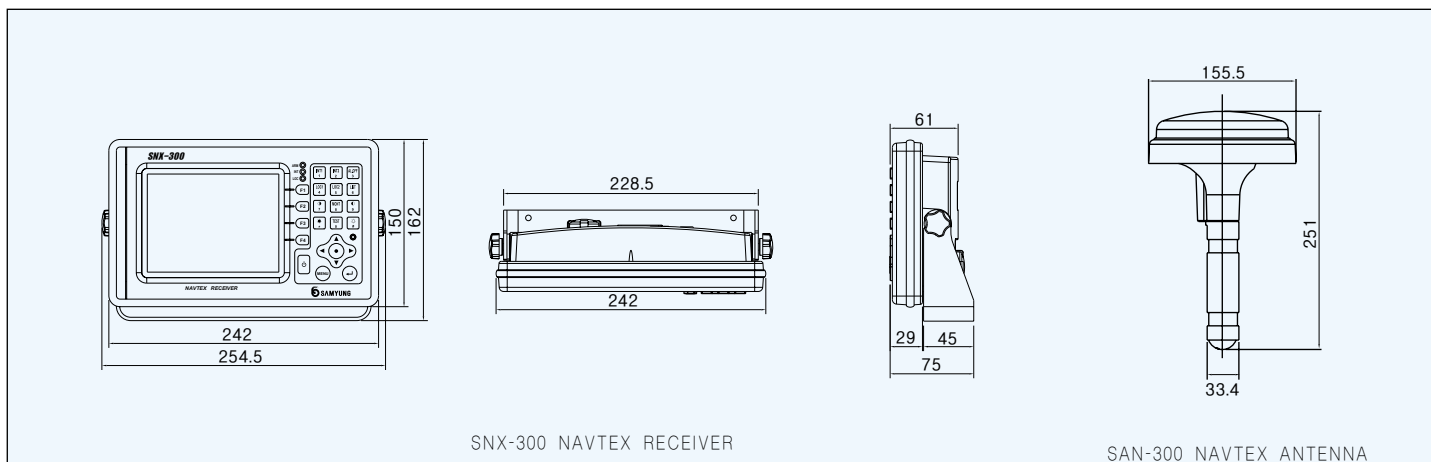
■ OPTION

- Printer
- Power Supply

CONFIGURATION



DIMENSIONS



ISO 9001:2000 / KS A 9001:2001
Certificate No. : RQM0645



KOSDAQ Listed Company